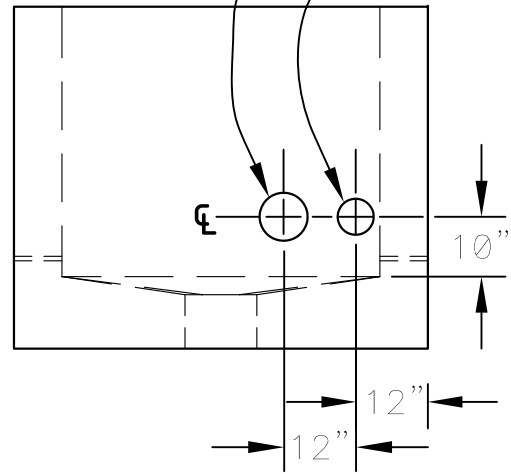


TOP VIEW

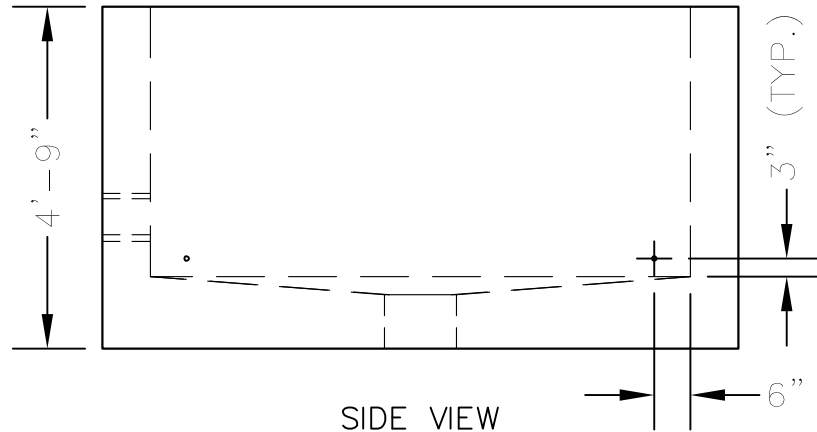
TOP VIEW (SIMPLIFIED)

¾" PVC SLEEVE (TYP. FOR (2)) FOR GROUND CABLE ENTRY.

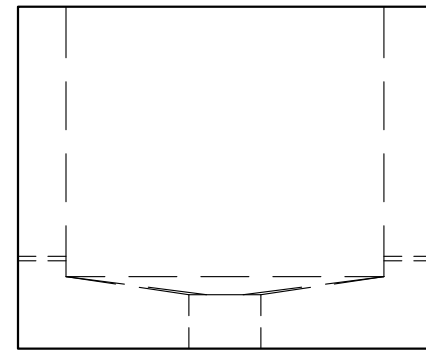
Ø8" SLEEVE FOR 5" RGS CONDUIT (TYP.).
Ø6" SLEEVE FOR 4" RGS CONDUIT (TYP.).



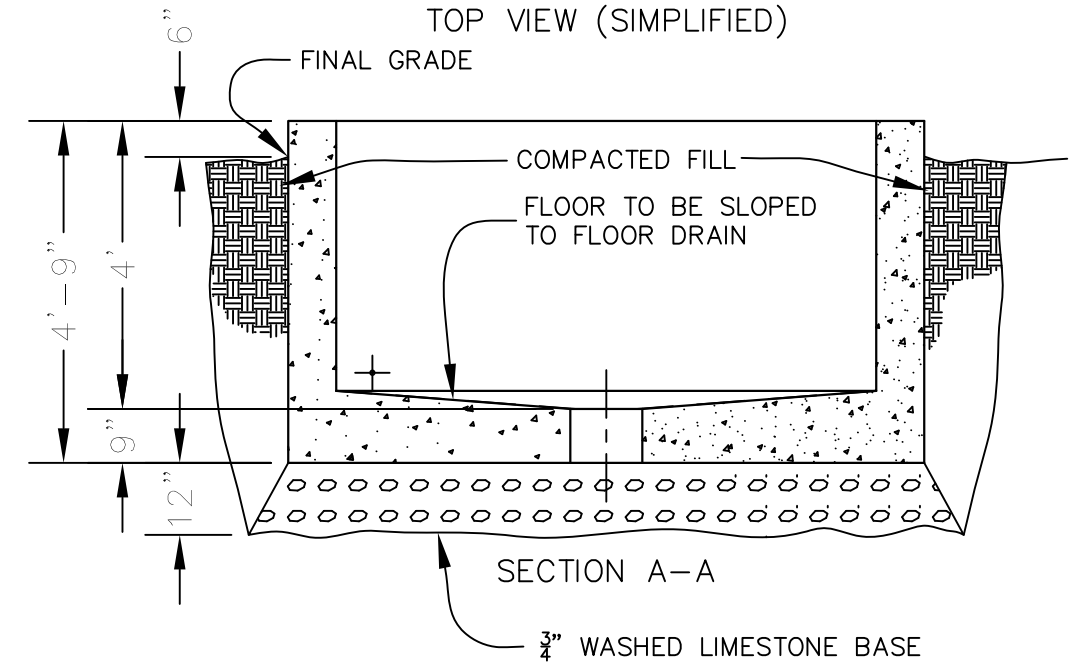
WEST END VIEW



SIDE VIEW



EAST END VIEW



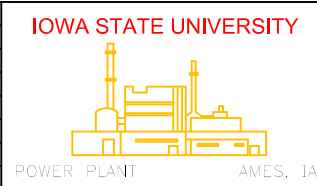
NOTES:

1. VERIFY LOCATIONS OF ALL HOLES.
2. SIZE, QUANTITY, AND LOCATIONS OF CONDUITS TO BE ADJUSTED PER PROJECT REQUIREMENTS.

NOTE TO CONSULTANT:

1. MAY BE PRECAST OR CAST IN PLACE.
2. PROVIDE DETAILED STRUCTURAL DESIGN OR REQUIRE THAT CONTRACTOR SHALL PROVIDE DESIGN AND SUBMIT STAMPED SHOP DRAWINGS PRIOR TO CONSTRUCTION.

#	Date	Revision	By



FACILITIES PLANNING & MANAGEMENT
UTILITY SERVICES

DWG. TITLE:	ISU-VISTA SWGR FOUNDATION
TYPE:	5'-9" X 8'-10" X 4'-9" ELECTRICAL BOX
DWG. NO.:	EU-VISTA SWGR FOUNDATION 8/27/2009 SHEET: 1 OF 1